

# QLA-2000-18000-12-32

## 2~18GHz, 12dB, 3.2dB

Features:  
 \* Broad Band  
 \* Low Noise

Applications:  
 \* Wireless  
 \* Receiver  
 \* Laboratory Test  
 \* Radar

### Electrical

Frequency:	2~18GHz
Small Signal Gain:	12dB min.
Gain Flatness:	±1.5dB max.
Output Power (P1dB):	13dBm min.
Noise Figure:	3.2dB max.
Iuput VSWR:	2.0 max.
Output VSWR:	1.8 max.
Voltage:	+12V typ.
Current:	70mA typ.
Impedance:	50Ω

### Mechanical

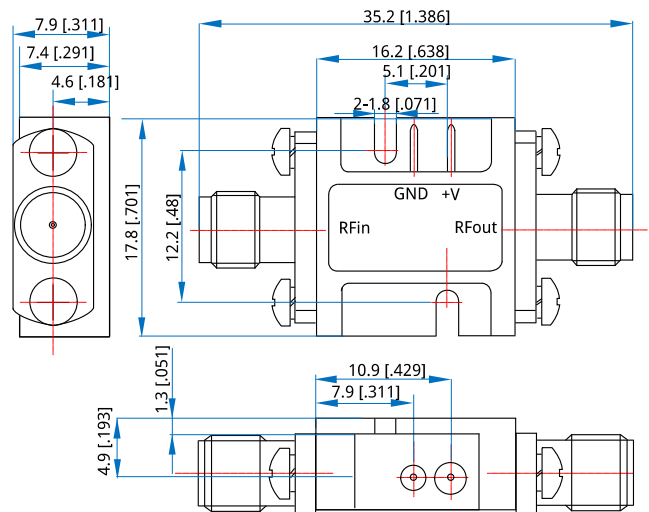
Size*1:	16.2*17.8*7.9mm 0.638*0.701*0.311in
RF Connectors:	SMA Female

[1] Exclude connectors.

### Environmental

Operating Temperature:	-40~+70°C
------------------------	-----------

### Outline Drawings



Unit: mm [in]  
 Tolerance: ±0.2mm [±0.008in]

### How To Order

**QLA-2000-18000-12-32**

Customization is available upon request.